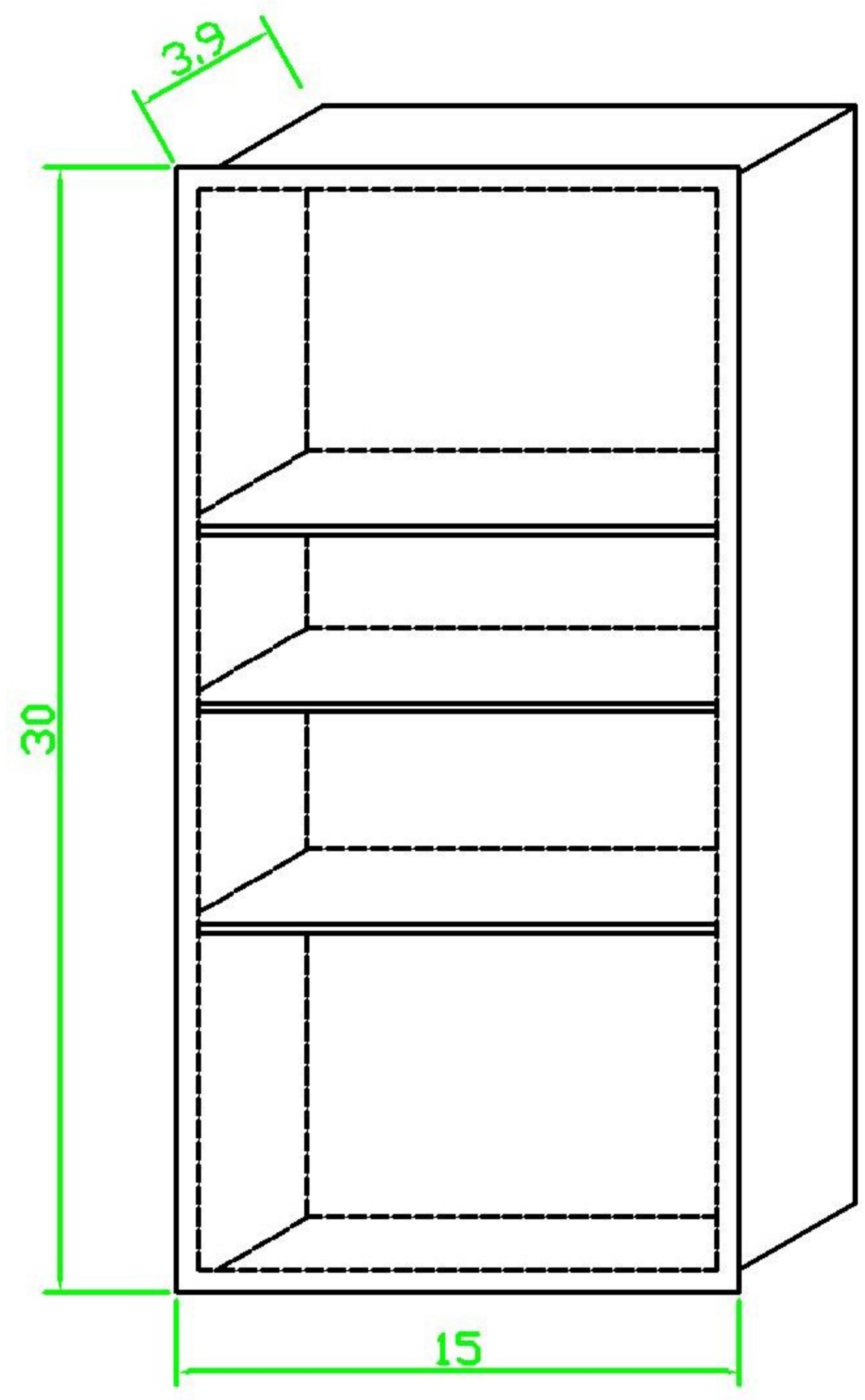
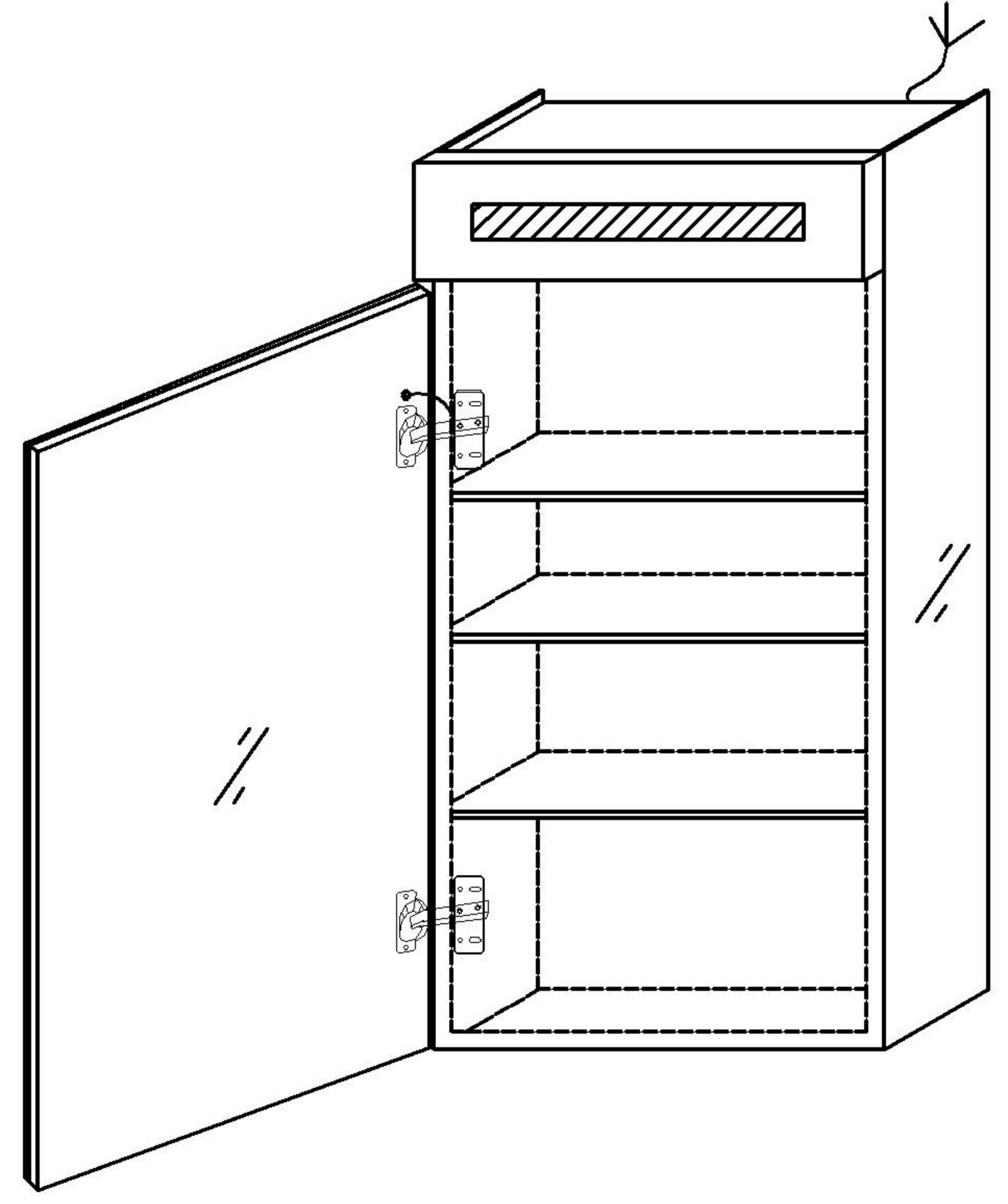
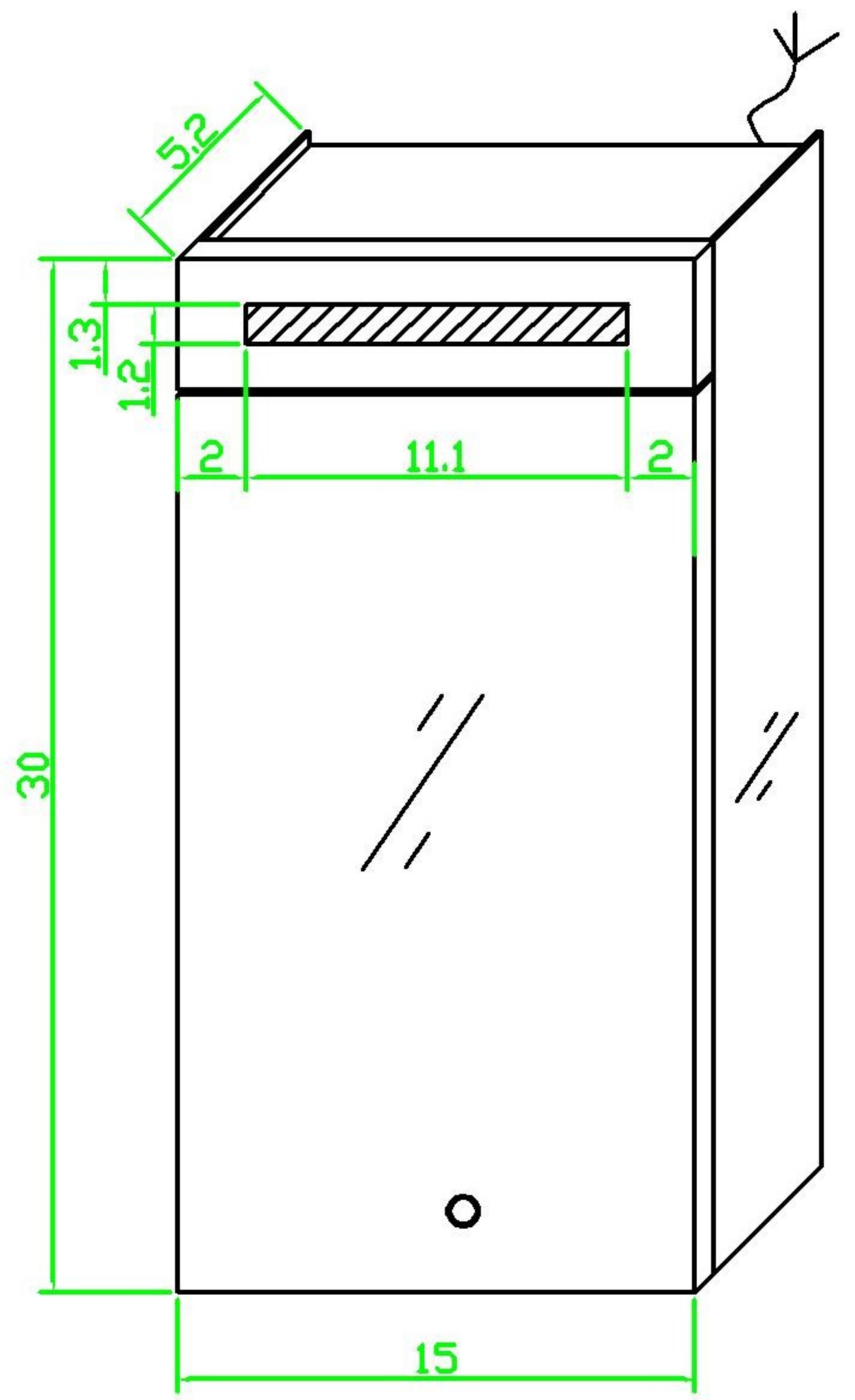


MODEL AMB1530L

SIZE 15W\*30H\*5.2D



MODEL	AMB1530R
SIZE	15W*30H*5.2D

