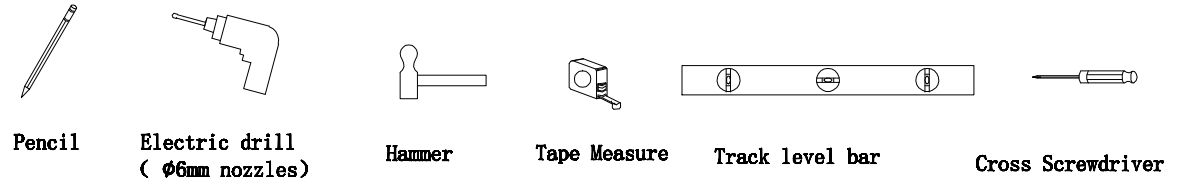
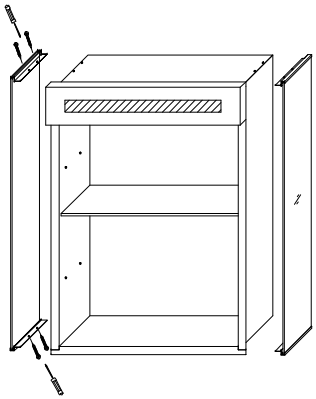
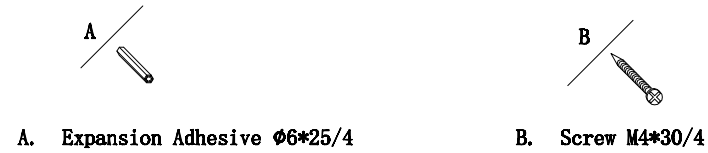


2. For recessing

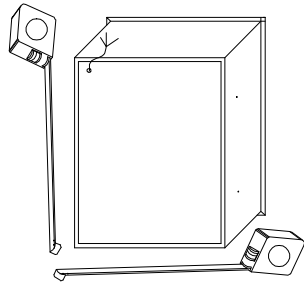
Tools



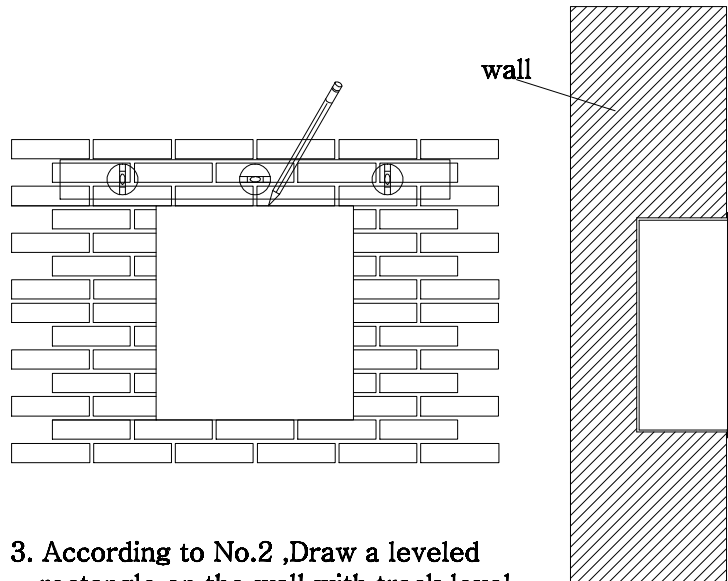
Accessories



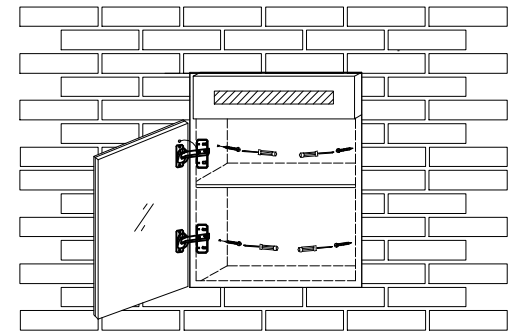
1. Remove the both of side mirror with screwdriver



2. Measure the width and height of back side of cabinet.



3. According to No.2 ,Draw a leveled rectangle on the wall with track level bar,that is about 1/5 inch larger than the cabinet recess in both width and height to make sure the fit not too tight. Make a hole that the depth is larger than 4.6 inch.



4.Insert the cabinet into the hole to test for size and position. If it seems to be where you want it . Install the screw on the left and right side of cabinet .